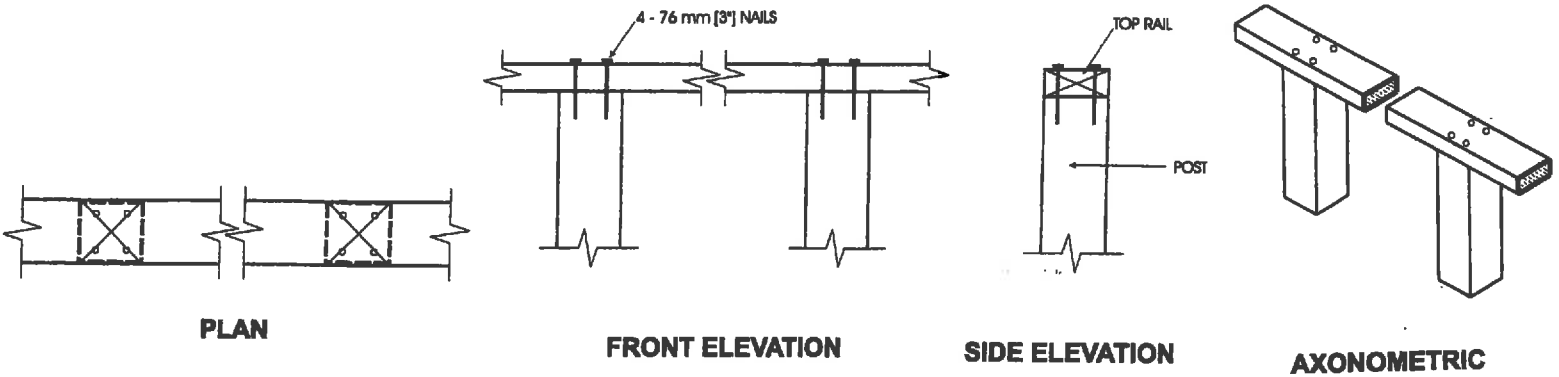


RAIL TO POST CONNECTION (A-4 TO A-6)

PICK ONE OF THE FOLLOWING

- DETAIL EA-1
- DETAIL EA-2
- DETAIL EA-3
- DETAIL EA-4
- DETAIL EA-5
- OTHER (DETAILED DRAWING)



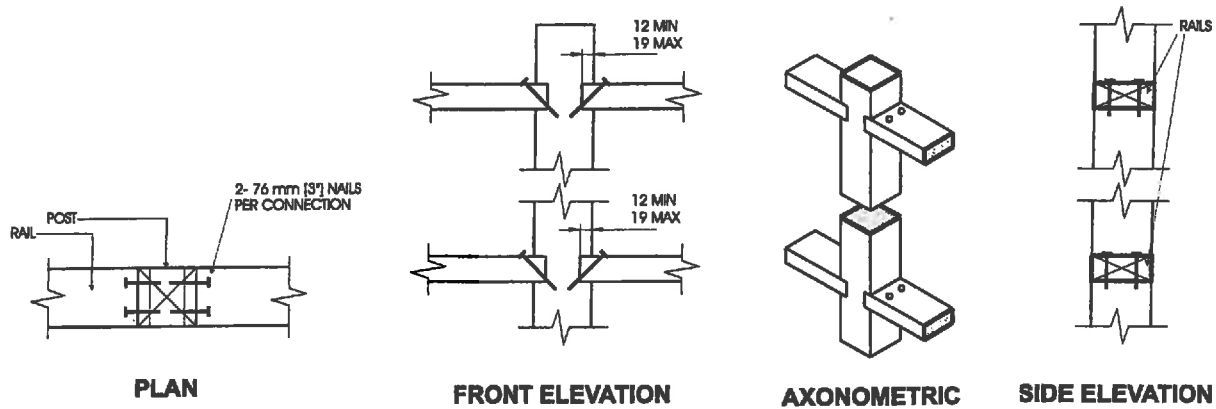
DETAIL EA-1

Exterior Connection: Top Rail Nailed to Post

Notes:

1. The top rail must be continuous. Use Detail EA-5 at the end spans, where continuity ends.

MAXIMUM SPAN OF RAIL BETWEEN POSTS	
Species	Maximum Span, m (ft-in)
Douglas Fir-Larch, Hem-Fir, Spruce-Pine-Fir	1.52 (5'-0")
Northern Species	1.52 (5'-0")



Detail EA-2

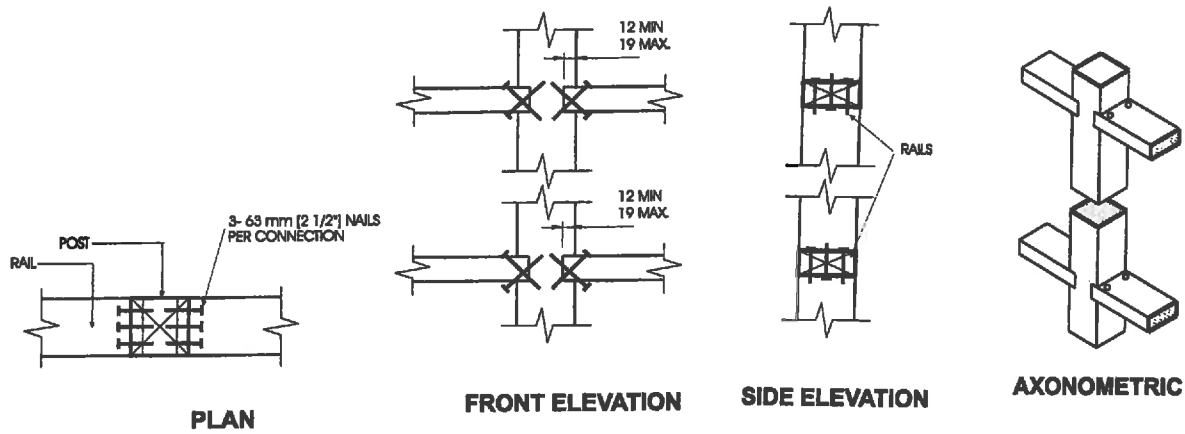
Exterior Connection: Top/Bottom Rail Skew Nailed to Post-76mm (3") Nails

Notes:

1. The maximum span is more often governed by post spacing.
2. Provide support to bottom rail at intervals not more than 2.0m (6'-7").
3. The bottom rail may be bevelled as detailed in Figure 2.1.2.
4. Dimensions shown are in mm unless otherwise specified.

MAXIMUM SPAN OF RAIL BETWEEN POSTS	
Species	Maximum Span, m (ft-in)
Douglas Fir-Larch, Hem-Fir, Spruce-Pine-Fir	2.72 (8'-11")
Northern Species	2.18 (7'-2")





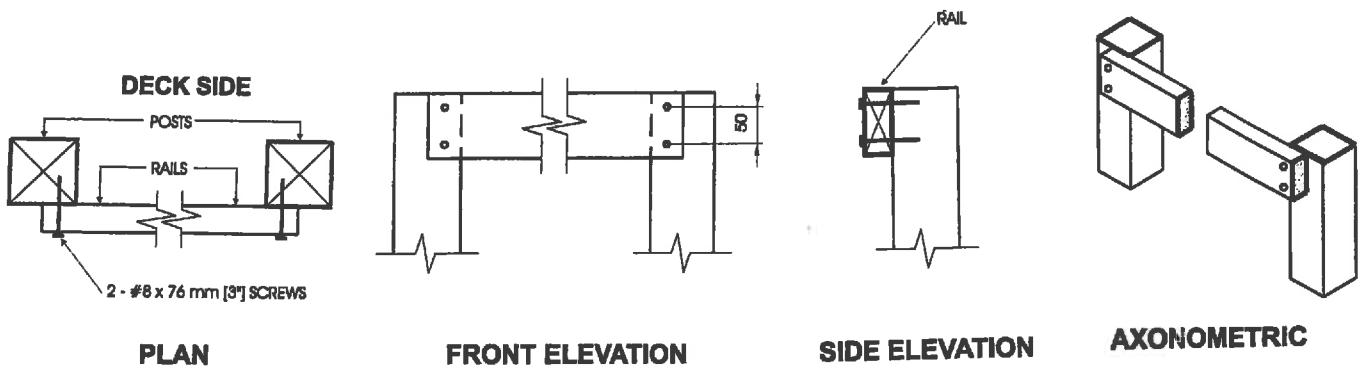
Detail EA-3

Exterior Connection: Top/Bottom Rail Skew Nailed to Post - 63mm (2-1/2") Nails

Notes:

1. Provide support to bottom rail at intervals not more than 2.0m (6'-7").
2. The bottom rail may be bevelled as detailed in Figure 2.1.2.
3. Dimensions shown are in mm unless otherwise specified.

MAXIMUM SPAN OF RAIL BETWEEN POSTS	
Species	Maximum Span, m (ft-in)
Douglas Fir-Larch, Hem-Fir, Spruce-Pine-Fir	2.72 (8'-11")
Northern Species	2.18 (7'-2")



Detail EA-4

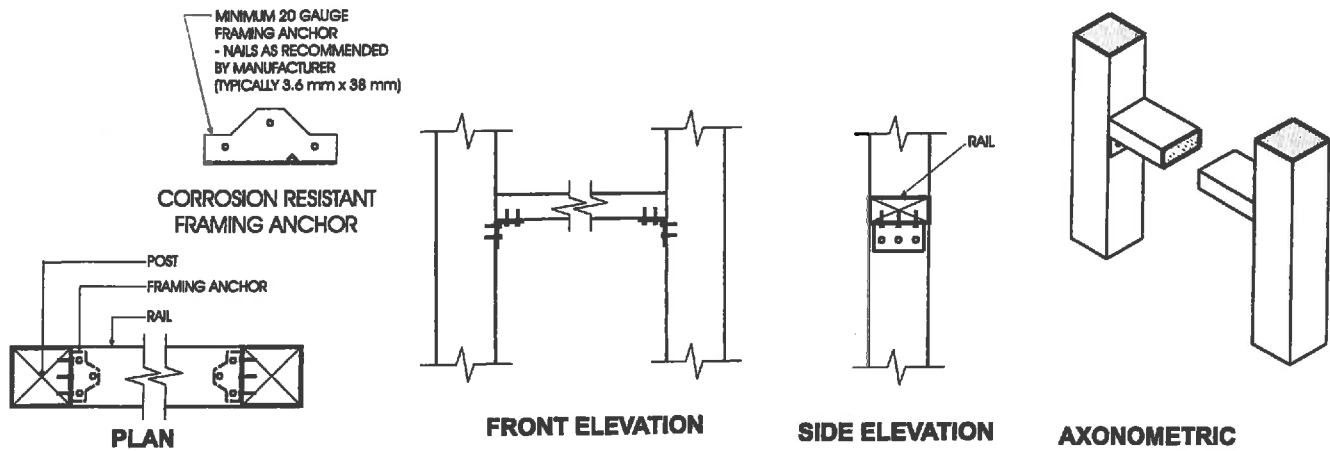
Exterior Connection: Top/Bottom Rail Face Nailed or Screwed to Post

Notes:

1. If the rails are located on the deck side of the posts, 76mm (3") nails may be used in place of the screws.
2. Where the top rail is continuous, the top rail may be fastened to each post with 3-#8 x 76mm (3") screws.
3. Dimensions shown are in mm unless otherwise specified.

MAXIMUM SPAN OF RAIL BETWEEN POSTS	
Species	Maximum Span, m (ft-in)
Douglas Fir-Larch, Hem-Fir, Spruce-Pine-Fir	1.77 (5'-10")
Northern Species	1.41 (4'-8")





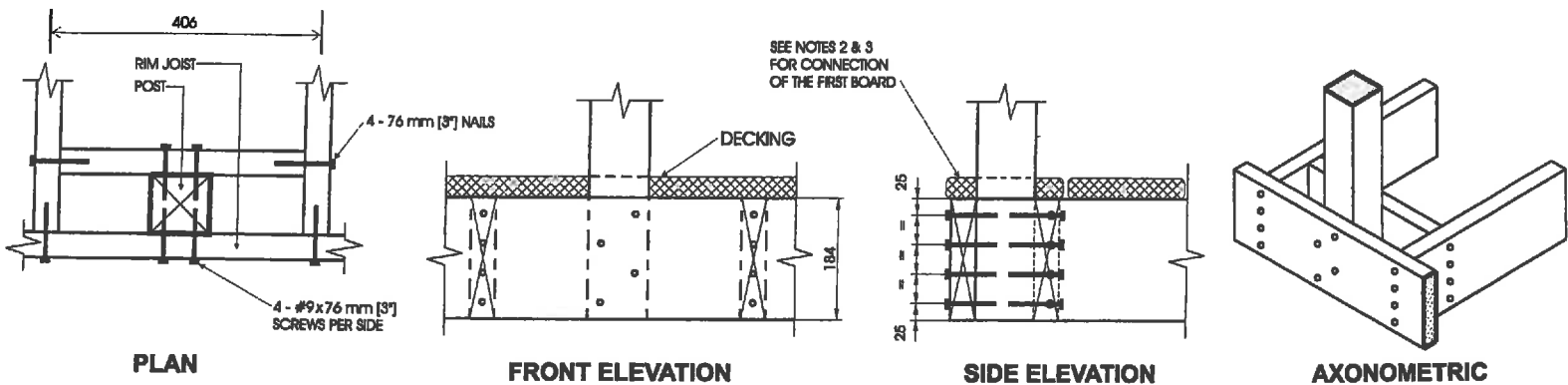
Detail EA-5

Exterior Connection: Top/Bottom Rail Fastened to Post with Framing Anchors

Notes:

1. Provide support to bottom rail at intervals not more than 2.0m (6'-7").
2. The bottom rail may be bevelled as detailed in Figure 2.1.2.
3. Dimensions shown are in mm unless otherwise specified.

MAXIMUM SPAN OF RAIL BETWEEN POSTS	
Species	Maximum Span, m (ft-in)
Douglas Fir-Larch, Hem-Fir, Spruce-Pine-Fir	2.72 (6'-11")
Northern Species	2.18 (7'-2")



Detail EB-2

Exterior Connection: Post Screwed to Rim Joist

Notes:

1. Decking is omitted from the plan view and the axonometric view for clarity.
2. Fasten 25mm x 140mm (5/4"x6" nominal) outer deck board to rim joist with 63mm (2-1/2") nails at 300mm (12")
3. Fasten 25mm x 140mm (5/4"x6" nominal) outer deck board to floor joist with 1-63mm (2-1/2") nail at each joist.
4. The post may be positioned anywhere between the joists.
5. #9 screws may be replaced by #8 screws if the maximum spacing between posts is not more than 1.20m (3'-11").
6. Dimensions shown are in mm unless otherwise specified.

GUARD POST CONNECTION TO FLOOR JOIST (A-6 TO A-8) PICK ONE OF THE FOLLOWING

- DETAIL EB-2
- DETAIL EB-3
- DETAIL EB-5
- DETAIL EB-6
- DETAIL IB-1
- OTHER (DETAILED DRAWING)

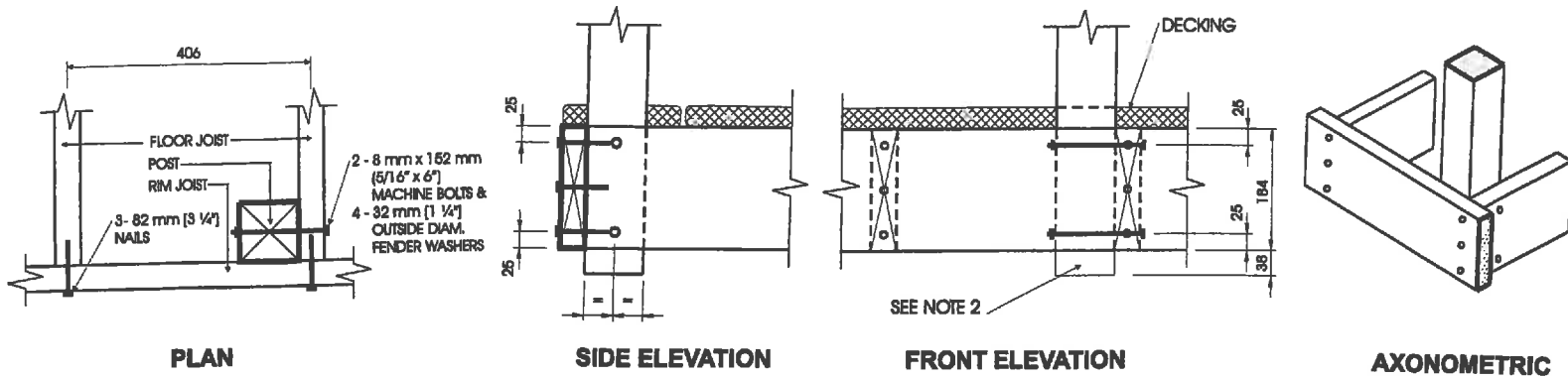
MAXIMUM SPACING BETWEEN POSTS	
Species	Maximum Spacing, m (ft-in)
Douglas Fir-Larch, Hem-Fir, Spruce-Pine-Fir	1.56 (5'-1")
Northern Species	1.20 (3'-11")

TOWNSHIP OF WELLESLEY BUILDING DEPARTMENT



4639 LOBSINGER LINE
RR#1 ST CLEMENTS, ON N0B 2M0
519-699-3947
FAX: 519-699-4540

DWG NO:
A-6



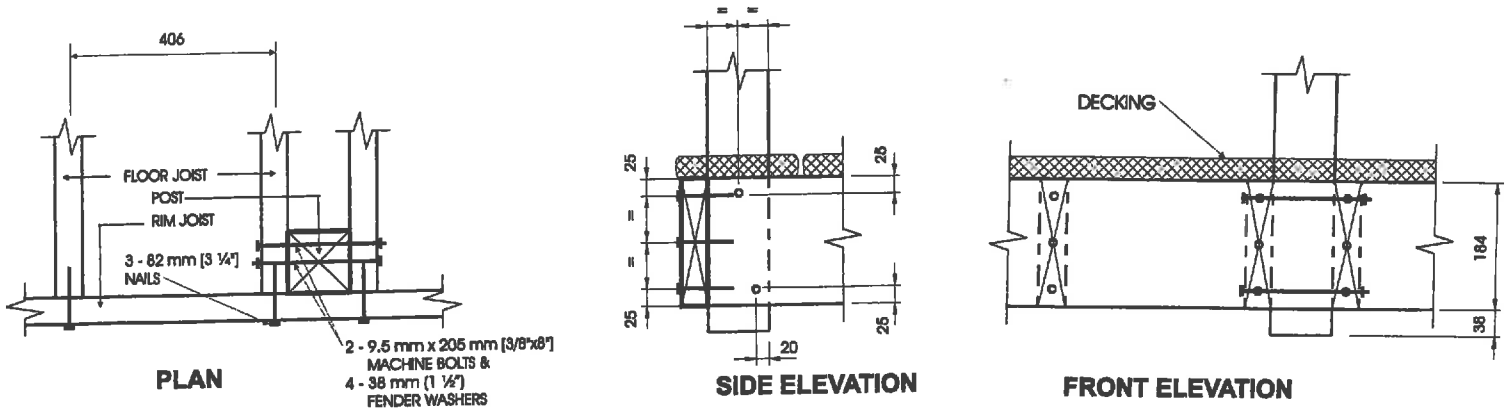
Detail EB-3

Exterior Connection: Post Bolted to Floor Joist - 8mm (5/16") Bolts

Notes:

1. Decking is omitted from the plan view and the axonometric view for clarity.
2. 38mm (1-1/2") post projection is not required where the maximum spacing between posts does not exceed 1.20m (3'-11").
3. Joists may be spaced at 610mm (24") o/c or 406mm (16") o/c.
4. Where floor joists are spaced at 610mm (24") o/c, decking shall have a minimum thickness of 38mm (1-1/2") and shall be fastened to the floor with 2-76mm (3") nails.
5. Dimensions shown are in mm unless otherwise specified.

MAXIMUM SPAN OF RAIL BETWEEN POSTS	
Species	Maximum Spacing, m (ft-in)
Douglas Fir-Larch, Hem-Fir, Spruce-Pine-Fir	1.29 (4'-3")
Northern Species	1.20 (3'-11")



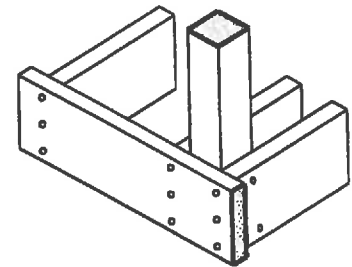
Detail EB-5

Exterior Connection: Post Bolted to 2 Floor Joists

Notes:

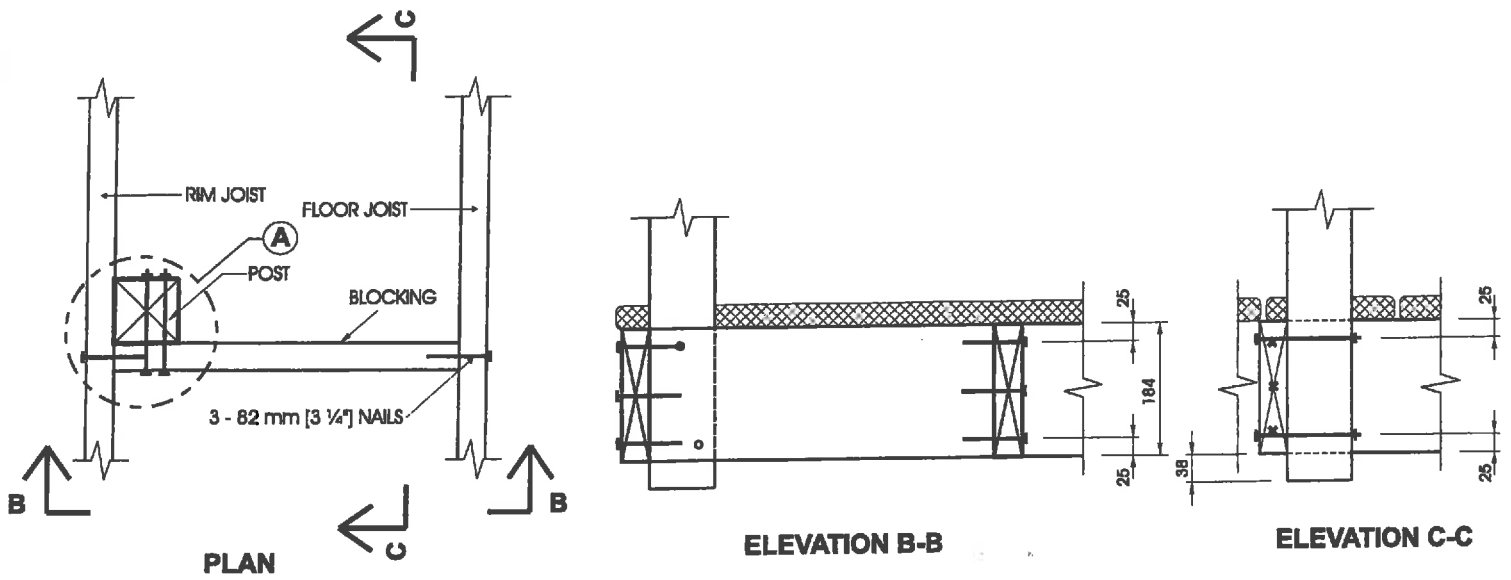
1. Decking is omitted from the plan view and the axonometric view for clarity.
2. 38mm (1-1/2") post projection is not required where the maximum spacing between posts does not exceed 1.20m (3'-11").
3. Joists may be spaced at 610mm (24") o/c or 406mm (16") o/c.
4. Where floor joists are spaced at 610mm (24") o/c decking shall have a minimum thickness of 38mm (1-1/2") and shall be fastened to the floor with 2-76mm (3") nails.
5. Dimensions shown are in mm unless otherwise specified.

MAXIMUM SPACING BETWEEN POSTS	
Species	Maximum Spacing, m (ft-in)
Douglas Fir-Larch, Hem-Fir, Spruce-Pine-Fir	2.14 (7'-0")
Northern Species	1.20 (3'-11")



AXONOMETRIC



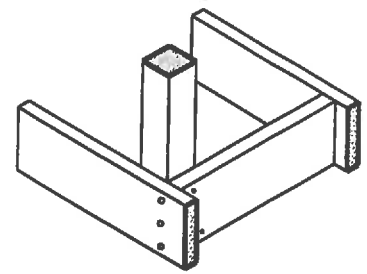


Detail EB-6

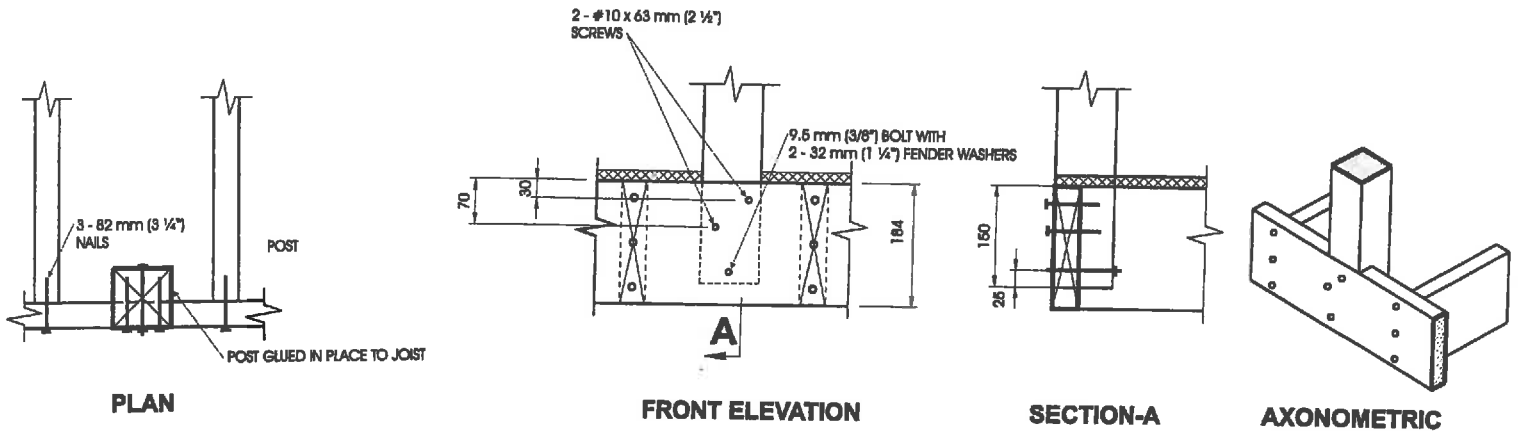
Exterior Connection: Post Fastened to Floor, Guard Parallel to Floor Joists

Notes:

1. Use any of the connection details shown on Details EB-1 to EB-5 at location "A". Connection Detail EB-4 is shown in this detail, as an example.
2. Maximum spacing between posts is determined from connection detail used at location "A".
3. Decking is omitted from the plan view and the axonometric view for clarity.
4. Blocking shall be not less than 38 mm x 184 mm (2" x 8" nominal).



AXONOMETRIC



Detail 1B-1

Interior Connection: Notched Post Glued and Bolted to Rim Joist

Notes:

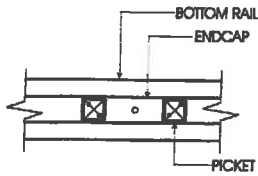
1. Minimum dimension of post is 82mm x 82mm (3-1/4"x3-1/4").
2. Notch post 38mm x 152mm (1-1/2"x6") at rim joist.
3. Dimensions shown are in mm unless otherwise specified.

MAXIMUM SPACING BETWEEN POSTS	
Post Species	Maximum Spacing, m (ft-in)
Oak, Maple, Yellow Poplar, Hemlock, White Pine	3.30 (10'-10")

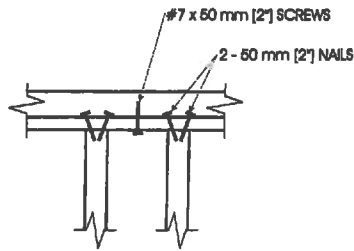


PICKET CONNECTION (A-9)
PICK ONE OF THE FOLLOWING

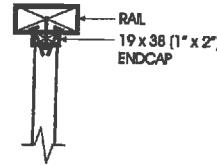
- DETAIL EC-1
- DETAIL EC-4
- OTHER (DETAILED DRAWING)



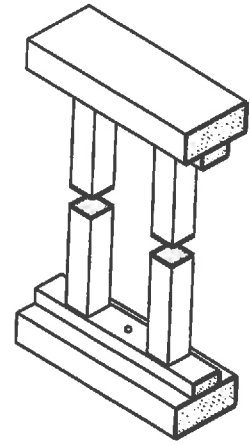
**PLAN
 BOTTOM RAIL**



FRONT ELEVATION



SIDE ELEVATION



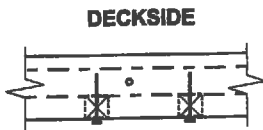
AXONOMETRIC

Detail EC-1

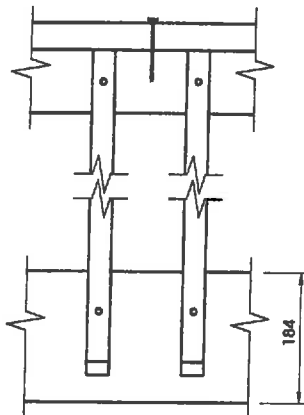
Exterior Connection: Infill Picket Nailed to Endcap - Endcap Screwed to Rail

Notes:

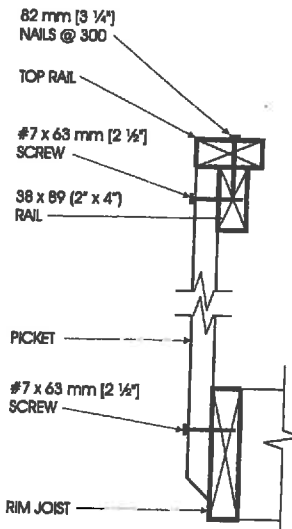
1. Fasten each end of each picket to endcaps with 2-50mm (2") nails.
2. Fasten endcaps to rails with #7 x 50mm (2") screws at 300mm (12") o/c.
3. See Table 2.1.2. for minimum sizes of pickets.



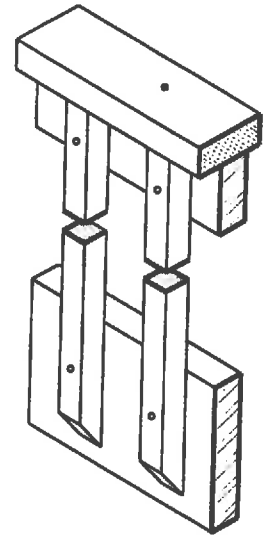
PLAN



FRONT ELEVATION



SIDE ELEVATION



AXONOMETRIC

Detail EC-4

Exterior Connection: Infill Picket Screwed to Top Rail and Rim Joist

Note:

1. Dimensions shown are in mm unless otherwise specified.

